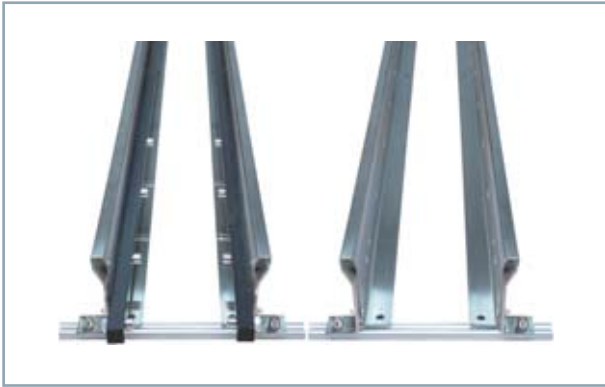


# DURAMOV® Plastic Cable Carriers

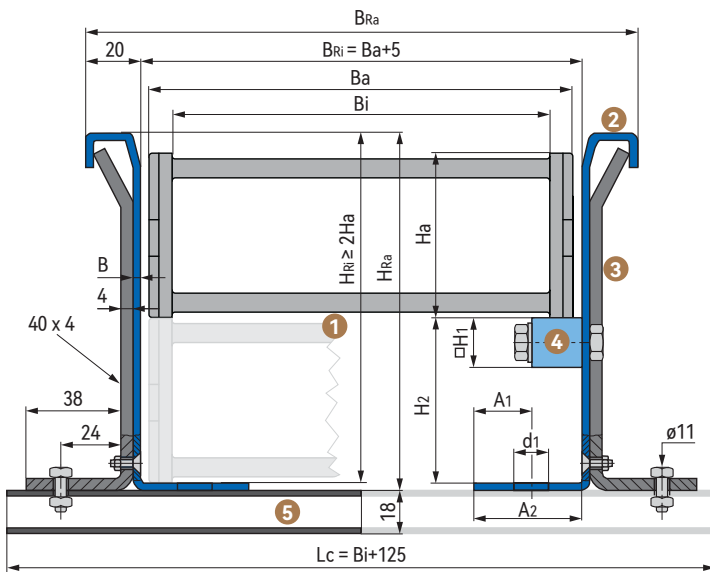
## DURAMOV® 塑料电缆拖链

### 导向槽 Guide troughs | 钢制导向槽 Steel guide troughs



- 极为稳固，适用于重载型机械
- 安装简单，直接固定在地面或C型槽上
- 两片式设计，可根据拖链调节宽度
- 可选用镀锌钢和不锈钢
- 可选用工程塑料耐磨滑条
- very stable and rugged for heavy machinery
- Easy installation, fixed directly on the ground or the C-profile
- Two piece design, adjustable to the width according the cable carriers
- Available in galvanised steel and stainless steel
- Available with plastic glide bar in guide trough

### 标准尺寸 Standard dimensions



- 1 电缆拖链 Cable carriers  
DURAMOV® C02 and C03
- 2 侧板 Trough side parts  
标准长度 Standard length: 2m section
- 3 支架 Clamping brackets  
标准件 Standard parts
- 4 滑条 Glide bars  
标准长度 Standard length: 2m section
- 5 C型槽 C-profile  
长度根据 The length according to Lc

适配拖链 Cable carrier	产品编码 Part No.	B [mm]	d <sub>1</sub> [mm]	A <sub>1</sub> [mm]	A <sub>2</sub> [mm]	H <sub>1</sub> [mm]	H <sub>2</sub> [mm]	H <sub>Ra</sub> [mm]
C02.18 C02.25	GT035070.2000.GS	2	9	12	26	20	35	70
C02.35	GT050100.2000.GS	2	11	15	35	20	50	100
C03.32	GT054130.2000.GS	2	11	15	35	20	54	130
C02.45 C03.42	GT064130.2000.GS	2	11	15	35	30	64	130
C03.56	GT084170.2000.GS	2	11	20	50	30	84	170
C03.80	GT108220.2000.GS	2.5	14	20	50	30	108	220

\*导向槽长度可根据客户实际安装空间定制 The guide trough length also available according to the installation requirement

产品编码 Part No.	侧板Trough side part		支架Clamping bracket			滑条Glide bar			C型槽C-profile		
	产品编码 Part No.	数量 Quantity [pcs/set]	重量 Weight [kg/set]	产品编码 Part No.	数量 Quantity [pcs/set]	重量 Weight [kg/set]	产品编码 Part No.	数量 Quantity [pcs/set]	重量 Weight [kg/set]	产品编码 Part No.	数量 Quantity [pcs/set]
GT035070.2000.GS	SP035070.2000.GS	Nx2	3.75	CL035070.GS	(N+1)x2	0.12	GB020.2000	Nx2	0.75	CB.HD.000.GS	Nx2
GT050100.2000.GS	SP050100.2000.GS	Nx2	4.95	CL050100.GS	(N+1)x2	0.16	GB020.2000	Nx2	0.75	CB.HD.000.GS	Nx2
GT054130.2000.GS	SP054130.2000.GS	Nx2	5.90	CL054130.GS	(N+1)x2	0.20	GB020.2000	Nx2	0.75	CB.HD.000.GS	Nx2
GT064130.2000.GS	SP064130.2000.GS	Nx2	5.90	CL064130.GS	(N+1)x2	0.20	GB030.2000	Nx2	1.70	CB.HD.000.GS	Nx2
GT084170.2000.GS	SP084170.2000.GS	Nx2	7.65	CL084170.GS	(N+1)x2	0.25	GB030.2000	Nx2	1.70	CB.HD.000.GS	Nx2
GT108220.2000.GS	SP108220.2000.GS	Nx2	11.45	CL108220.GS	(N+1)x2	0.31	GB030.2000	Nx2	1.70	CB.HD.000.GS	Nx2

\*节数 Number of sections  
\*CB.HD.000.GS: "000"= Bi+125

## 安装螺丝与螺母 Installation screw and nut

产品编码 Part No.	支架Clamping bracket 每节 Per section	滑条Glide bar 每节 Per section	C型槽C-profile 每节 Per section
GT035070.2000.GS	沉头螺丝Countersunk-head screw M6×14, <b>4</b> pcs	六角螺丝 Hexagon-head screw M10×35, <b>22</b> pcs	六角螺丝 Hexagon-head screw M10×16, <b>2</b> pcs
GT050100.2000.GS	六角螺母 Hexagon nut M6, <b>4</b> pcs	六角螺母 Hexagon nut M10, <b>22</b> pcs	T型螺母 T-nut M10, <b>2</b> pcs
GT054130.2000.GS			
GT064130.2000.GS	沉头螺丝Countersunk-head screw M6×14, <b>4</b> pcs	六角螺丝 Hexagon-head screw M10×45, <b>22</b> pcs	六角螺丝 Hexagon-head screw M10×16, <b>2</b> pcs
GT084170.2000.GS	六角螺母 Hexagon nut M6, <b>4</b> pcs	六角螺母 Hexagon nut M10, <b>22</b> pcs	T型螺母 T-nut M10, <b>2</b> pcs
GT108220.2000.GS			

产品编码 Part No.:

GT035070.2000.GS.GB.CB175.SN

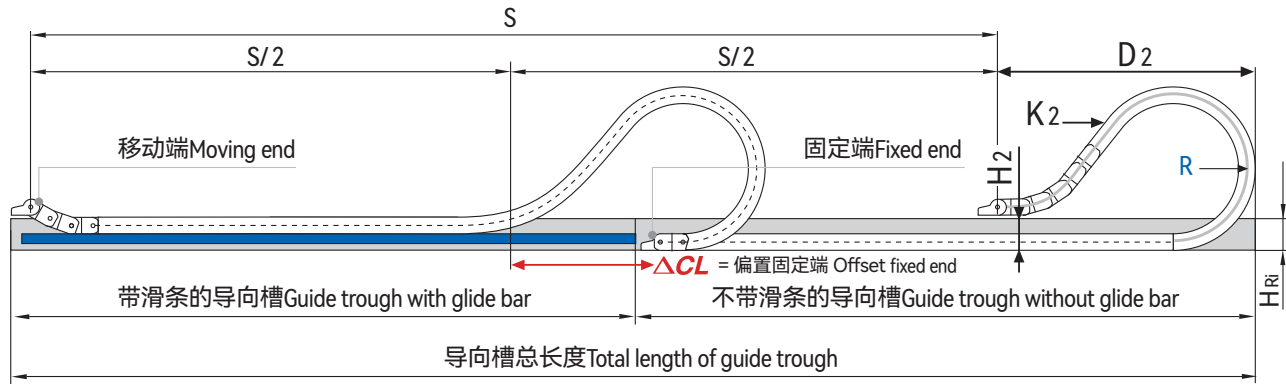


# DURAMOV® Plastic Cable Carriers

## DURAMOV® 塑料电缆拖链

### 导向槽 Guide troughs | 钢制导向槽 Steel guide troughs

\*拖链中间固定长度 For center mount applications: Chain length =  $S/2 + K_2$



#### C02.18 长行程滑行应用 For long travels gliding applications | 10-75m

R	38	48	75	100	125	150
H <sub>2</sub>	76	96	150	100	100	100
D <sub>2</sub> <sup>+25</sup>	102	112	139	340	495	540
K <sub>2</sub>	190	220	305	600	800	940
ΔCL	-	-	-	179	305	340

#### C02.25 长行程滑行应用 For long travels gliding applications | 10-120m

R	55	75	100	125	150	175	200	225	250
H <sub>2</sub>	110	150	100	100	100	100	100	100	100
D <sub>2</sub> <sup>+25</sup>	142	162	380	440	590	755	950	1040	1130
K <sub>2</sub>	265	330	644	736	1012	1242	1472	1610	1794
ΔCL	-	-	204	244	364	504	674	754	804

#### C02.35 长行程滑行应用 For long travels gliding applications | 10-150m

R	63	75	100	125	150	175	200	250
H <sub>2</sub>	130	150	166	166	166	166	166	166
D <sub>2</sub> <sup>+25</sup>	140	150	350	475	500	655	770	950
K <sub>2</sub>	335	375	616	784	896	1120	1288	1624
ΔCL	-	-	144	244	244	374	464	594

#### C02.45 长行程滑行应用 For long travels gliding applications | 10-150m

R	75	100	125	150	200	250	300
H <sub>2</sub>	150	200	186	186	186	186	186
D <sub>2</sub> <sup>+25</sup>	208	233	475	570	780	1010	1150
K <sub>2</sub>	370	450	804	1005	1340	1675	1943
ΔCL	-	-	233	303	463	643	733

### C03.32 & C03H.32长行程滑行应用 For long travels gliding applications | 10-200m

R	63	75	100	125	150	175	200	225	250	300
H <sub>2</sub>	126	150	166	166	166	166	166	166	166	166
D <sub>2</sub> <sup>+25</sup>	146	158	370	470	500	655	770	900	930	1100
K <sub>2</sub>	310	350	616	784	896	1120	1288	1456	1568	1904
ΔCL	-	-	160	210	240	370	460	540	570	690

### C03.42 & C03H.42长行程滑行应用 For long travels gliding applications | 12-300m

R	75	100	125	150	175	200	250	300	350
H <sub>2</sub>	150	200	186	186	186	186	186	186	186
D <sub>2</sub> <sup>+25</sup>	174	199	475	570	670	780	1030	1150	1500
K <sub>2</sub>	370	450	804	938	1139	1340	1675	1943	2412
ΔCL	-	-	230	300	380	460	660	730	1030

### C03.56 & C03H.56长行程滑行应用 For long travels gliding applications | 12-400m

R	135	150	175	200	250	300	350	400	450	500
H <sub>2</sub>	270	266	266	266	266	266	266	266	266	266
D <sub>2</sub> <sup>+25</sup>	268	450	580	710	980	1180	1440	1530	1700	1850
K <sub>2</sub>	610	819	1092	1274	1638	2002	2275	2548	2912	3276
ΔCL	-	159	259	359	559	709	905	959	1059	1159

### C03.80 & C03H.80长行程滑行应用 For long travels gliding applications | 12-400m

R	150	200	250	300	350	400	450	500
H <sub>2</sub>	242	242	242	242	242	242	242	242
D <sub>2</sub> <sup>+25</sup>	550	800	1000	1200	1450	1600	1850	2100
K <sub>2</sub>	890	1330	1665	2000	2330	2660	3050	3440
ΔCL	189	389	539	689	889	989	1189	1389

# DURAMOV® Plastic Cable Carriers

## DURAMOV® 塑料电缆拖链

### 附件 | 分隔片 Accessories | Separators

#### ■ C02竖分隔片 Vertical separators



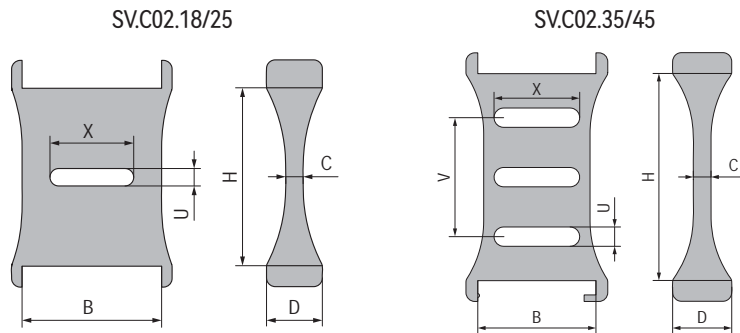
- 分隔片，将链内空间按需要分隔开电缆、油管、气管等起到保护作用
- 具有较高强度的分隔片，可稳固的装备于拖链中
- 同时满足安装简单快速
- The separator separates inside space of the carrier to protect cables, oil hoses, gas hoses, etc.
- Separator with high strength, can be firmly fitted in carrier
- Quickly and easily installation

DURAMOV® Accessories

www.csb-ep.com  
sales@csb-ep.com

电话: 0573 84186133/84185527  
Tel: 0086 573 84187009

### 标准尺寸 Standard dimensions



🛒 产品编码 Part No.:

SV.C02.25

拖链内高 Inner Height

拖链型号 Carrier type

分隔片系列 Separator series

产品编码 Part No.	产品编码 Part No.	H <sup>0</sup> <sub>-0.25</sub> [mm]	X [mm]	V [mm]	C [mm]	D [mm]	U [mm]	B [mm]
SV.C02.18	SV.C02E.18	18	12	/	2.5	8	3	20
SV.C02.25	SV.C02E.25	25	12	/	2.5	8	3	20
SV.C02.35	SV.C02E.35	35	12	14.6	3	10	3	20
SV.C02.45	SV.C02E.45	45	12	18	3	10	3	22



可沿横杆自由移动  
Move freely along the crossbar

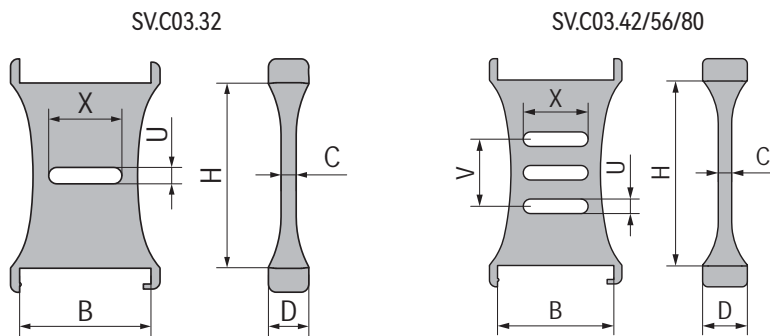
## 附件 | 分隔片 Accessories | Separators

### ■ C03竖分隔片 Vertical separators



- 分隔片，将链内空间按需要分隔开电缆、油管、气管等起到保护作用
- 具有较高强度的分隔片，可稳固的装备于拖链中
- 同时满足安装简单快速
- The separator separates inside space of the carrier to protect cables, oil hoses, gas hoses, etc.
- Separator with high strength, can be firmly fitted in carrier
- Quickly and easily installation

### 标准尺寸 Standard dimensions



产品编码 Part No.:

SV.C03.32

- 拖链内高 Inner Height
- 拖链型号 Carrier type
- 分隔片系列 Separator series

产品编码 Part No.	$H_{-0.25}^0$ [mm]	X [mm]	V [mm]	C [mm]	D [mm]	U [mm]	B [mm]
SV.C03.32	32	12	/	3	8	3	26
SV.C03.42	42	12	17	3	10	3	26
SV.C03.56	56	15	22.7	4	12	4	30
SV.C03.80	80	15	40	4	10	4	30



可沿横杆自由移动  
Move freely along the crossbar

# DURAMOV® Plastic Cable Carriers

## DURAMOV® 塑料电缆拖链

DURAMOV® Accessories

www.csb-ep.com  
sales@csb-ep.com

电话: 0573 84186133/84185527  
Tel: 0086 573 84187009

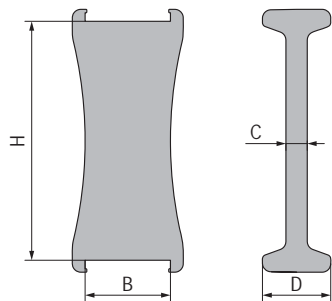
### 附件 | 分隔片 Accessories | Separators

#### ■ C04竖分隔片 Vertical separators



- 将链内空间按需要分隔开电缆、油管、气管等起到保护作用
- 具有较高强度的分隔片，可稳固的装备于拖链中
- 同时满足安装简单快速
- The separator separates inside space of the carrier to protect cables, oil hoses, gas hoses, etc.
- Separator with high strength, can be firmly fitted in carrier
- Quickly and easily installation

### 标准尺寸 Standard dimensions



产品编码 Part No.:

SV.C04.28

拖链内高 Inner Height  
拖链型号 Carrier type  
分隔片系列 Separator series

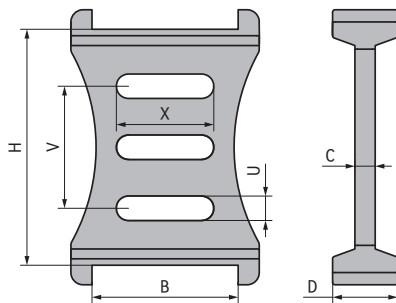
产品编码 Part No.	$H_{-0.25}^0$ [mm]	C [mm]	D [mm]	B [mm]
SV.C04.28	28	2.5	8	10



可沿横杆自由移动  
Move freely along the crossbar

**附件 | 分隔片 Accessories | Separators**
**■ C06竖分隔片 Vertical separators**


- 将链内空间按需要分隔开电缆、油管、气管等起到保护作用
- 具有较高强度的分隔片，可稳固的装备于拖链中
- 同时满足安装简单快速
- The separator separates inside space of the carrier to protect cables, oil hoses, gas hoses, etc.
- Separator with high strength, can be firmly fitted in carrier
- Quickly and easily installation

**标准尺寸 Standard dimensions**


产品编码 Part No.:

SV.C06.29

- 拖链内高 Inner Height
- 拖链型号 Carrier type
- 分隔片系列 Separator series

产品编码 Part No.	$H_{0.25}^0$ [mm]	X [mm]	V [mm]	C [mm]	D [mm]	U [mm]	B [mm]
SV.C06.29	29	12	15	2.5	8	3	18
SV.C06.35	35	12	18	2.5	8	3	18
SV.C06.40	40	12	20	2.5	10	12	20
SV.C06.52	52	12	25	2.5	10	12	20



可沿横杆自由移动  
Move freely along the crossbar



# DURAMOV® Plastic Cable Carriers

## DURAMOV® 塑料电缆拖链

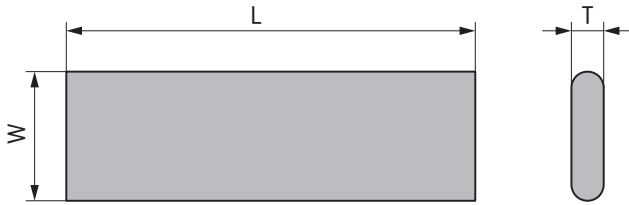
### 附件 | 分隔片 Accessories | Separators

#### ■ 横分隔片 Horizontal separators



- 可用于许多直径电缆应用，横分隔片可以放置适合宽度
- C03.42和C03.56提供了3个不同高度横向分隔槽位
- 横分隔片中的竖分隔片可在水平方向自由移动
- Horizontal separators are available for many diameter cable applications
- Three different height for C03.42 and C03.56
- The vertical separator in the horizontal separator can move freely in the horizontal direction

#### 标准尺寸 Standard dimensions



产品编码 Part No.:  
SH.03.12.000

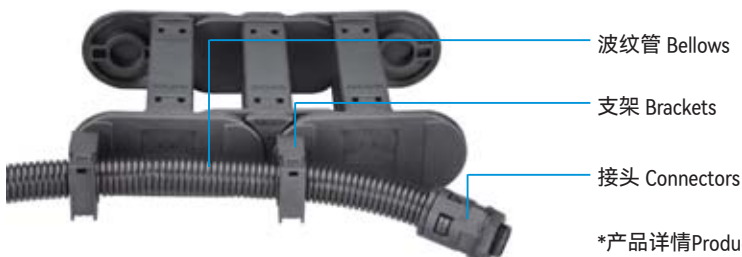
— 长度 Length  
— 宽度 Width  
— 厚度 Thickness  
— 分隔片系列 Separator series

产品编码 Part No.	L [mm]	W [mm]	T [mm]	重量 Weight [g]
SH.03.12.038	38	12	3	2.5
SH.03.12.048	48	12	3	3.2
SH.03.12.050	50	12	3	3.3
SH.03.12.057	57	12	3	3.8
SH.03.12.060	60	12	3	4.0
SH.03.12.067	67	12	3	4.5
SH.03.12.075	75	12	3	5.0
SH.03.12.077	77	12	3	5.1
SH.03.12.080	80	12	3	5.3
SH.03.12.087	87	12	3	5.8
SH.03.12.100	100	12	3	6.6
SH.03.12.103	103	12	3	6.8
SH.03.12.125	125	12	3	8.3
SH.03.12.150	150	12	3	9.9
SH.03.12.175	175	12	3	11.6
SH.03.12.200	200	12	3	13.2
SH.04.15.100	100	15	4	11.0
SH.04.15.125	125	15	4	13.8
SH.04.15.150	150	15	4	16.6
SH.04.15.175	175	15	4	19.3
SH.04.15.200	200	15	4	22.1
SH.04.15.225	225	15	4	24.9
SH.04.15.250	250	15	4	27.6

拖链类别 Plastic cable carriers	拖链型号 Cable carrier specifications	横分隔片 Horizontal separators	最大安装数量 Max. installation quantities [pcs/link]
C02 通用型拖链 Universal cable carriers	C02.18	SH.03.12.000	1
	C02.25	SH.03.12.000	1
	C02.35	SH.03.12.000	1
	C02.45	SH.03.12.000	2
C02E 防静电拖链 ESD cable carriers	C02E.18	SH.03.12.000	1
	C02E.25	SH.03.12.000	1
	C02E.35	SH.03.12.000	1
	C02E.45	SH.03.12.000	2
C03 重载型拖链 High load cable carriers	C03.32	SH.03.12.000	1
	C03.42	SH.03.12.000	2
	C03.56	SH.04.15.000	3
	C03.80	SH.04.15.000	3
C03H 高强度电缆拖链 High-strength cable carriers	C03H.32	SH.03.12.000	1
	C03H.42	SH.03.12.000	2
	C03H.56	SH.04.15.000	3
	C03H.80	SH.04.15.000	3

## 附件 | 波纹管 Accessories | Bellows

拖链产品编码 Cable carriers part No.	拖链内高 Inner height [mm]	拖链外高 Outer height [mm]	适配波纹管 Bellows	适配波纹管支架 Brackets	适配波纹管外径 Bellows outer diameter [mm]
C02.35	35	50	AD13.0 至 to AD25.0	VHB-AD13.0 至 to VHB-AD25.0	≤25
C02.45	45	64	AD13.0 至 to AD28.5	VHB-AD13.0 至 to VHB-AD28.5	≤28.5
C03.32	32	54	AD13.0 至 to AD21.2	VHB-AD13.0 至 to VHB-AD21.2	≤21.2
C03.42	42	64	AD13.0 至 to AD28.5	VHB-AD13.0 至 to VHB-AD28.5	≤28.5
C03.56	56	84	AD13.0 至 to AD42.5	VHB-AD13.0 至 to VHB-AD42.5	≤42.5
C03.80	80	108	AD13.0 至 to AD54.5	VHB-AD13.0 至 to VHB-AD54.5	≤54.5



\*产品详情Product information: P130-P136

# DURAMOV® Plastic Cable Carriers

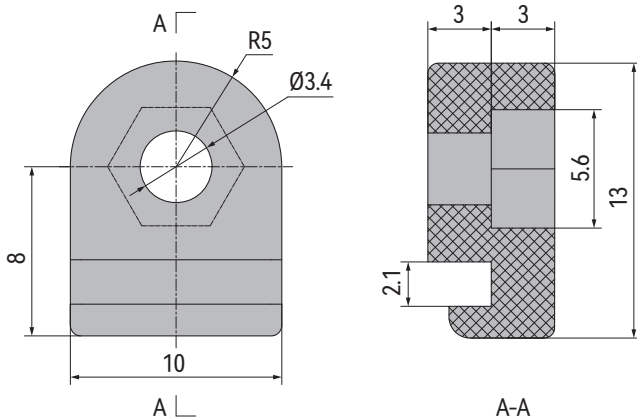
## DURAMOV® 塑料电缆拖链

### 附件 | 快速法兰 Accessories | Quick flange

#### ■ C31快速法兰 Quick flange



- 快速沿长度方向固定拖链
- 可以作为独立部件供货
- Quick fix the cable carriers along the length direction
- Available as an individual component



产品编码 Part No.:  
C31.QF  
快速法兰 Quick flange  
拖链系列 Carrier series

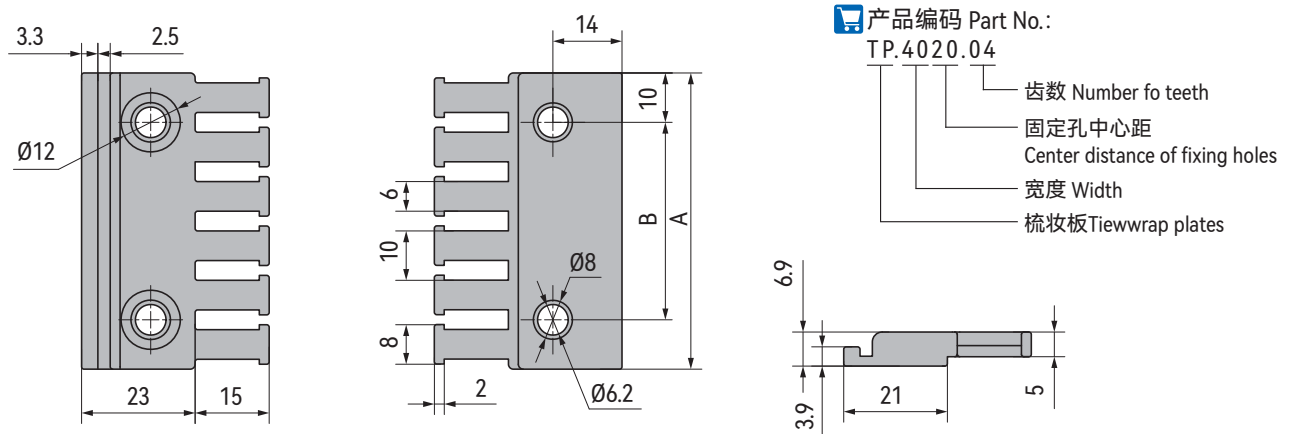
## 附件 | 梳状板 Accessories | Tiewwrap plates

### ■ 梳状板 Tiewwrap plates



- 可通过卡扣与一些接头装配
- 可作为独立部件采用螺栓固定在设备上
- 可以作为独立部件供货
- Can be clipped onto some mounting brackets
- Can be used as a single part in some machines with screw bolts
- Available as an individual component

### 标准尺寸 Standard dimensions



产品编码 Part No.	A [mm]	B [mm]	齿数 Number of teeth [pcs]
TP.4020.04	40	20	4
TP.5030.05	50	30	5
TP.6040.06	60	40	6

# DURAMOV® Plastic Cable Carriers

## DURAMOV® 塑料电缆拖链

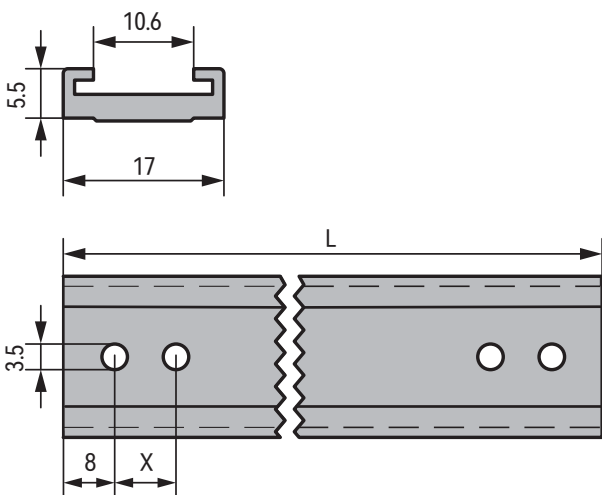
### 附件 | 消除应力元件 Accessories | Strain relief elements

#### ■ C02 C型支架 C-profile brackets

安装在拖链接头内部 Mounted on the inside of the carrier brackets



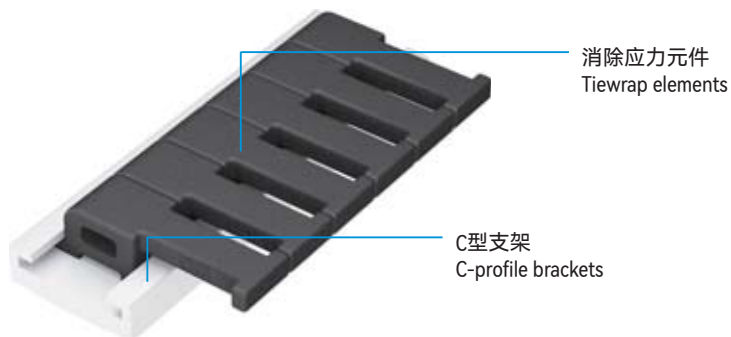
- 铝合金材质，表面阳极氧化
- 消除应力元件可在导向槽内运动
- Aluminum alloy, surface anodized
- The tiewrap elements can move within the guide slot



产品编码 Part No.	X (C02.18/25) [mm]	X (C02.35/45) [mm]	L [mm]
CB.C02.038.AL	8	10	38
CB.C02.048.AL	8	10	48
CB.C02.050.AL	8	10	50
CB.C02.057.AL	8	10	57
CB.C02.060.AL	8	10	60
CB.C02.067.AL	8	10	67
CB.C02.077.AL	8	10	77
CB.C02.080.AL	8	10	80
CB.C02.087.AL	8	10	87
CB.C02.100.AL	8	10	100
CB.C02.103.AL	8	10	103
CB.C02.125.AL	8	10	125
CB.C02.150.AL	8	10	150
CB.C02.175.AL	8	10	175

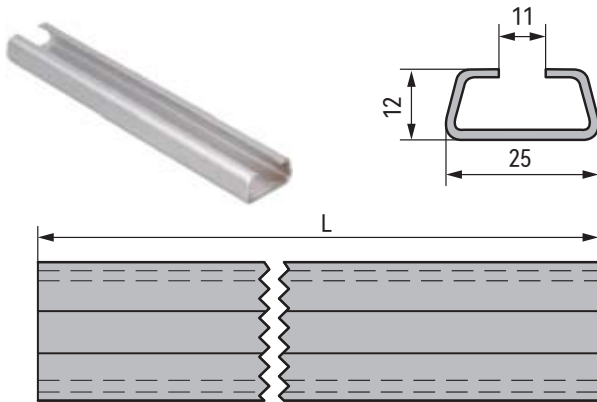
产品编码 Part No.:  
CB.C02.038.AL

- 材料铝合金 Materials: Aluminum
- 拖链内宽 Inner width
- 拖链系列 Carrier series
- 支架系列 Bracket series



**附件 | 消除应力元件 Accessories | Strain relief elements**
**■ C03 C型支架 C-profile brackets**

安装在拖链接头内部 Mounted on the inside of the carrier brackets

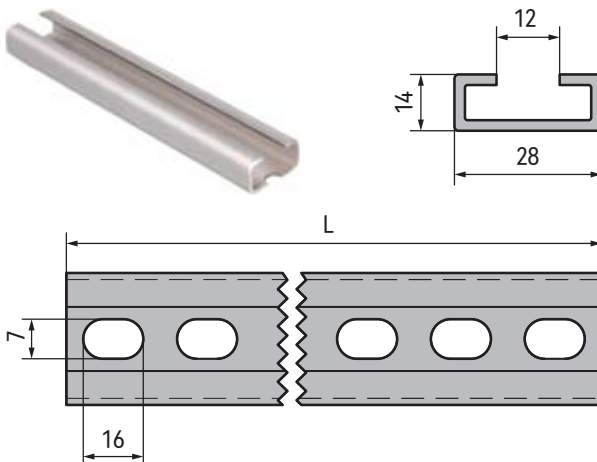

**产品编码 Part No.:**  
**CB.C03.050.ES**

- 材料不锈钢 Stainless steel
- 拖链内宽 Inner width
- 拖链系列 Carrier series
- 支架系列 Bracket series

产品编码 Part No.	L [mm]
CB.C03.050.ES	50
CB.C03.075.ES	75
CB.C03.100.ES	100
CB.C03.125.ES	125
CB.C03.150.ES	150
CB.C03.175.ES	175
CB.C03.200.ES	200
CB.C03.225.ES	225
CB.C03.250.ES	250

**■ C03 C型支架 C-profile bracket for heavy-duty applications**

安装在拖链接头外部 Mounted on the outside of the carrier brackets


**产品编码 Part No.:**  
**CB.HD.050.ES**

- 材料不锈钢 Stainless steel
- 拖链内宽 Inner width
- 重载系列 Heavy-duty series
- 支架系列 Bracket series

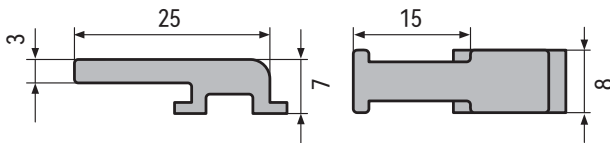
产品编码 Part No.	L [mm]
CB.HD.050.ES	50
CB.HD.075.ES	75
CB.HD.100.ES	100
CB.HD.125.ES	125
CB.HD.150.ES	150
CB.HD.175.ES	175
CB.HD.200.ES	200
CB.HD.225.ES	225
CB.HD.250.ES	250

# DURAMOV® Plastic Cable Carriers

## DURAMOV® 塑料电缆拖链

### 附件 | 消除应力元件 Accessories | Strain relief elements

#### ■ C02 消除应力元件 Tiewrap elements



- 作为独立部件供货
- 适用C型支架，带梳齿状应力元件
- 更方便固定电缆，易于拆装
- 节约安装时间，空间、成本，紧凑的模块化设计
- Available as an individual component
- Can be clipped into C-profile bracker
- Easy to assemble and fix cables
- Save assemble time and space,compact modular design

#### 产品编码 Part No.:

TE.C02.08.15

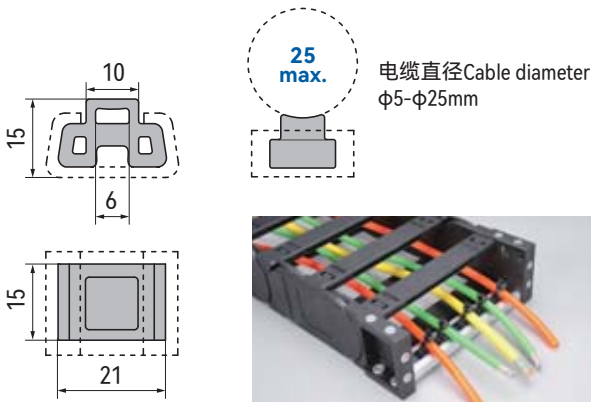
梳齿长度 Tiewrap tooth length

宽度 Width

拖链系列 Carrier series

去应力元件 Tiewrap elements

#### ■ C03 消除应力元件 Tiewrap elements



- 作为独立部件供货
- 适用C型支架，配合扎带使用
- 更方便固定电缆，易于拆装
- 节约安装时间，空间、成本，紧凑的模块化设计
- Available as an individual component
- Used with C-profile bracker and tiewraps
- Easy to assemble and fix cables
- Save assemble time and space,compact modular design

#### 产品编码 Part No.:

TE.C03.15.06

最大扎带宽度 Max. tiewrap width

底座宽度 Block width

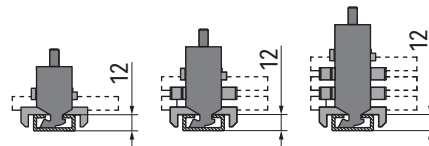
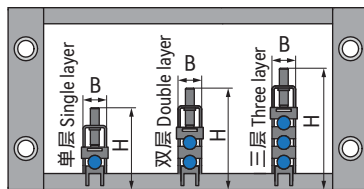
拖链系列 Carrier series

去应力元件 Tiewrap elements

## 附件 | 电缆夹 Accessories | Cable clamp



## 标准尺寸 Standard dimensions



产品编码 Part No.:

CFX12.1.E

空白Blank: 碳钢 Carbon steel  
E: 不锈钢 Stainless steel

1: 单层 Single layer  
2: 双层 Double layer  
3: 三层 Three layer

电缆最大直径 Cable max. diameter  
电缆夹系列 Cable clamp series

### 单层电缆夹 Single layer cable clamp:

产品编码(碳钢) Part No. (Carbon steel)	产品编码(不锈钢) Part No. (Stainless steel)	直径 Diameter [mm]	B [mm]	H [mm]	重量 Weight [g]
CFX12.1	CFX12.1.E	06-12	16	48	30
CFX14.1	CFX14.1.E	12-14	18	50	33
CFX16.1	CFX16.1.E	14-16	20	52	36
CFX18.1	CFX18.1.E	16-18	22	54	39
CFX20.1	CFX20.1.E	18-20	24	56	42
CFX22.1	CFX22.1.E	20-22	26	58	45

产品编码(碳钢) Part No. (Carbon steel)	产品编码(不锈钢) Part No. (Stainless steel)	直径 Diameter [mm]	B [mm]	H [mm]	重量 Weight [g]
CFX26.1	CFX26.1.E	22-26	30	67	48
CFX30.1	CFX30.1.E	26-30	34	71	48
CFX34.1	CFX34.1.E	30-34	38	75	51
CFX38.1	CFX38.1.E	34-38	42	79	54
CFX42.1	CFX42.1.E	38-42	46	83	60

### 双层电缆夹 Double layer cable clamp:

产品编码(碳钢) Part No. (Carbon steel)	产品编码(不锈钢) Part No. (Stainless steel)	直径 Diameter [mm]	B [mm]	H [mm]	重量 Weight [g]
CFX12.2	CFX12.2.E	06-12	16	69	47
CFX14.2	CFX14.2.E	12-14	18	71	52
CFX16.2	CFX16.2.E	14-16	20	75	57
CFX18.2	CFX18.2.E	16-18	22	79	62
CFX20.2	CFX20.2.E	18-20	24	83	67

产品编码(碳钢) Part No. (Carbon steel)	产品编码(不锈钢) Part No. (Stainless steel)	直径 Diameter [mm]	B [mm]	H [mm]	重量 Weight [g]
CFX22.2	CFX22.2.E	20-22	26	87	72
CFX26.2	CFX26.2.E	22-26	30	105	77
CFX30.2	CFX30.2.E	26-30	34	113	82
CFX34.2	CFX34.2.E	30-34	38	121	88

### 三层电缆夹 Three layer cable clamp:

产品编码(碳钢) Part No. (Carbon steel)	产品编码(不锈钢) Part No. (Stainless steel)	直径 Diameter [mm]	B [mm]	H [mm]	重量 Weight [g]
CFX12.3	CFX12.3.E	06-12	16	86	64
CFX14.3	CFX14.3.E	12-14	18	92	69
CFX16.3	CFX16.3.E	14-16	20	98	74
CFX18.3	CFX18.3.E	16-18	22	104	79

产品编码(碳钢) Part No. (Carbon steel)	产品编码(不锈钢) Part No. (Stainless steel)	直径 Diameter [mm]	B [mm]	H [mm]	重量 Weight [g]
CFX20.3	CFX20.3.E	18-20	24	110	84
CFX22.3	CFX22.3.E	20-22	26	116	89
CFX26.3	CFX26.3.E	24-26	30	128	99
CFX30.3	CFX30.3.E	28-30	34	140	109